

# INSTALLATION INSTRUCTIONS

## CLEANING AND MAINTENANCE

Regular disinfections provide an effective defense against various types of bacteria susceptible of developing in the deposits that build up over time in all bathtubs.

For Daily maintenance cleaning, use a moist cloth and gentle liquid detergent.

For acrylic surfaces, occasional use of a special acrylic surface cleaner will add luster and protect the finish.

**Do not use** abrasive cleaners, scrapers, metal brushes, or any items or products that could scratch or dull the surface.

**Paint stains:** Use either turpentine or a paint thinner.

**Joint compound:** Use a plastic or wood spatula covered with a damp cloth. Do not use a metal blade or a metal brush.

## LEVELING AND SUPPORT

**⚠ IMPORTANT:** The unit must be installed perfectly leveled.

Level the unit by adjusting the adjustable legs to the floor under the aluminium frame. All the legs must be in contact with the floor. Once the unit is in position, ensure it is level in both direction for proper drainer.

The Freestanding acrylic bathtub should never touch the floor. The Tub should be standing on it's legs and have a clearance of 2cm between the bathtub and the floor.

Bathtub

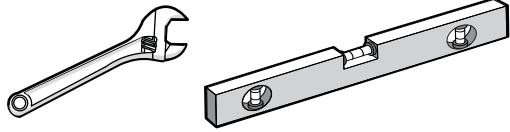




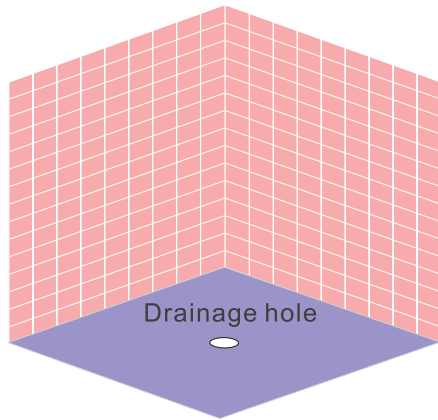
This product is heavy and may require two people to install.



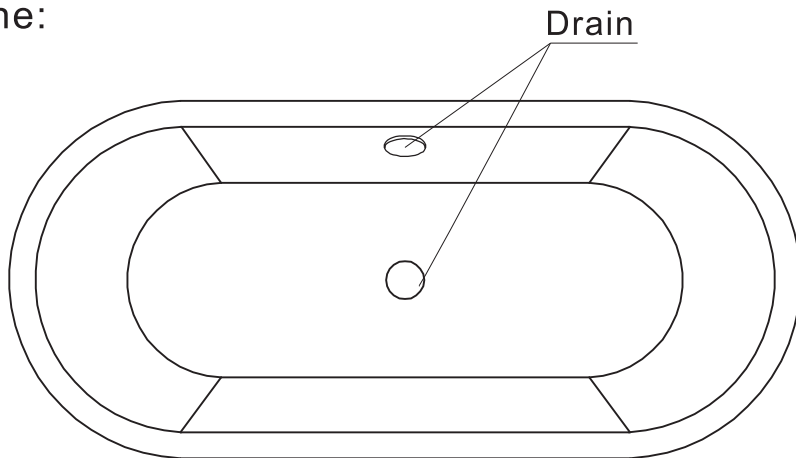
### Tools Required



### Installation Dimensioned Drawing:

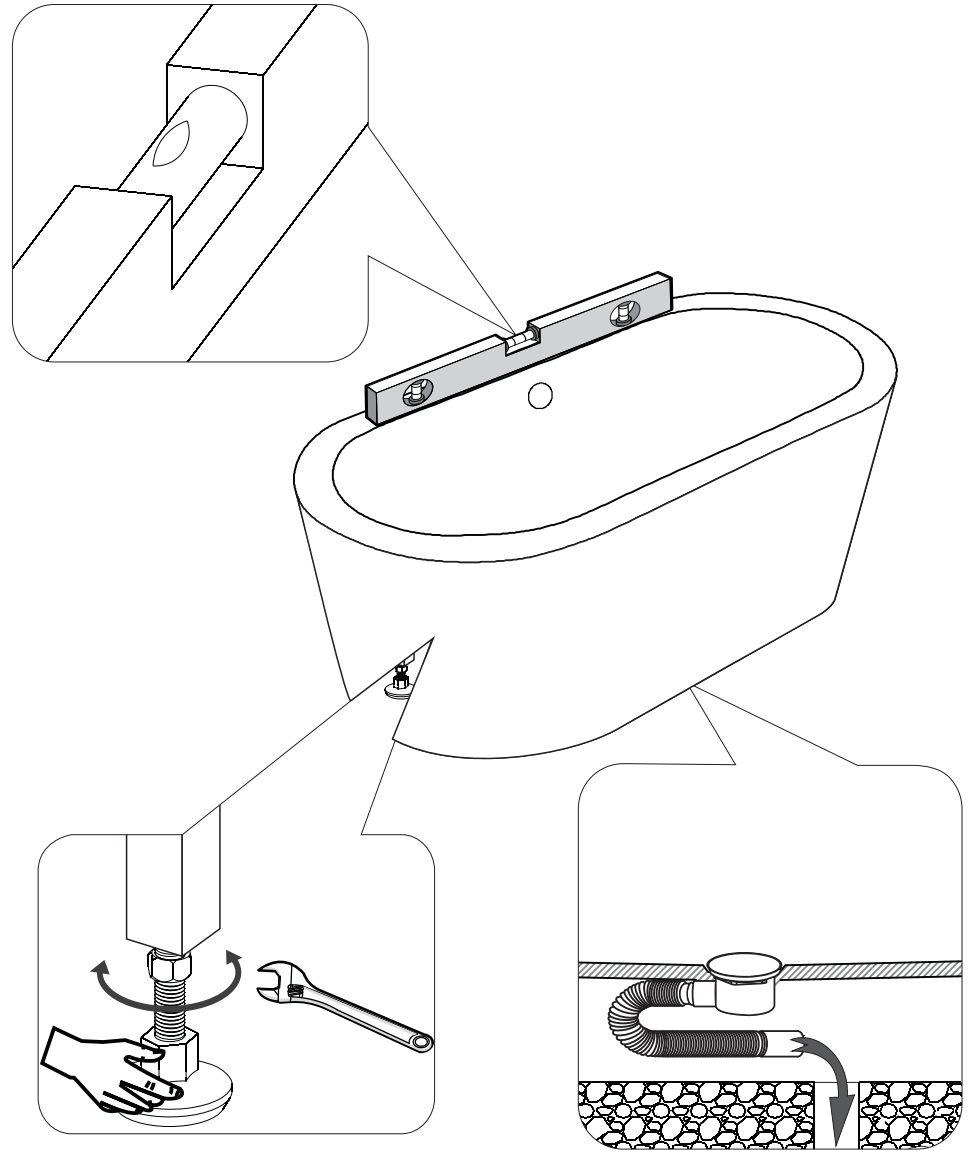


### Cutline:



-1-

### Installation:



-2-